



Meaningful Innovation.

WEEE Number: 80133970

# INSTRUCTION MANUAL

## 2 WAY SPOT WALL LIGHT LED

### TECHNICAL DATA

MODEL	VT-1186
SKU	10473, 10474 23049, 23050
WATTS	3W*2
LUMENS	310 Lm*2 [@360°Sphere]
INPUT POWER	AC: 220-240V, 50/60Hz
BEAM ANGLE	90°
ADJUSTABLE ANGLE	300°
CRI	≥80
LIFE SPAN	20,000 Hours
MATERIAL	Aluminium+Glass
DIMENSION	105x172x253mm

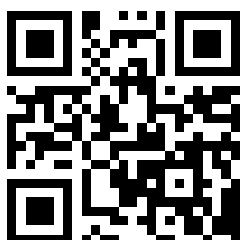


**02** YEAR  
WARRANTY\*

**IP44**  
RATING

### INTRODUCTION & WARRANTY

Thank you for selecting and buying V-TAC product. V-TAC will serve you the best. Please read these instructions carefully before starting the installation and keep this manual handy for future reference. If you have any another query, please contact our dealer or local vendor from whom you have purchased the product. They are trained and ready to serve you at the best. The warranty is valid for 2 years from the date of purchase. The warranty does not apply to damage caused by incorrect installation or abnormal wear and tear. The company gives no warranty against damage to any surface due to incorrect removal and installation of the product. The products are suitable for 10-12 Hours Daily operation. Usage of product for 24 Hours a day would void the warranty. This product is warranted for manufacturing defects only.



#### MULTI-LANGUAGE MANUAL QR CODE

Please scan the QR code to access the manual in multiple languages.

In case of any query/issue with the product, please reach out to us at: [support@v-tac.eu](mailto:support@v-tac.eu)  
For More products range, inquiry please contact our distributor or nearest dealers.  
V-TAC EUROPE LTD. Bulgaria, Plovdiv 4000, bul.L.Karavelow 9B

## INSTRUCTIONS FOR THE LIGHT

- Please make sure to turn off the power before starting the installation.
- Installation must be performed by a qualified electrician.
- The light source of this luminaire is not replaceable, when the light source reaches its end of life the whole luminaire should be replaced.
- Proper grounding should be ensured throughout the installation.



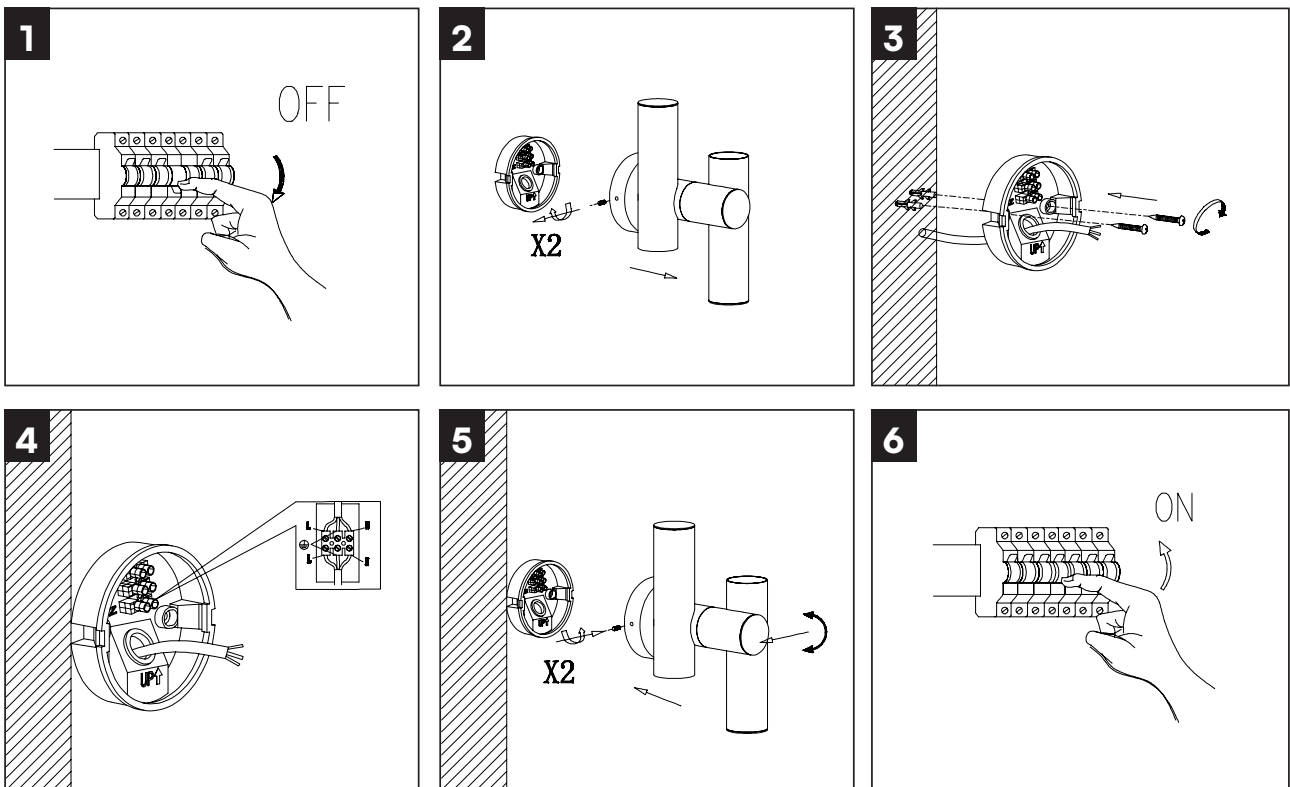
This marking indicates that this product should not be disposed of with other household wastes.



Caution, Risk of electric shock

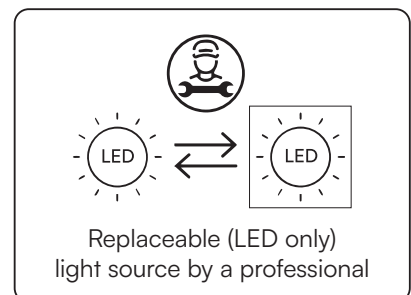
\*This product contains a light source of energy efficiency class <E>, where <E> shall be replaced by the energy class of the contained light source.

## INSTALLATION DIAGRAM



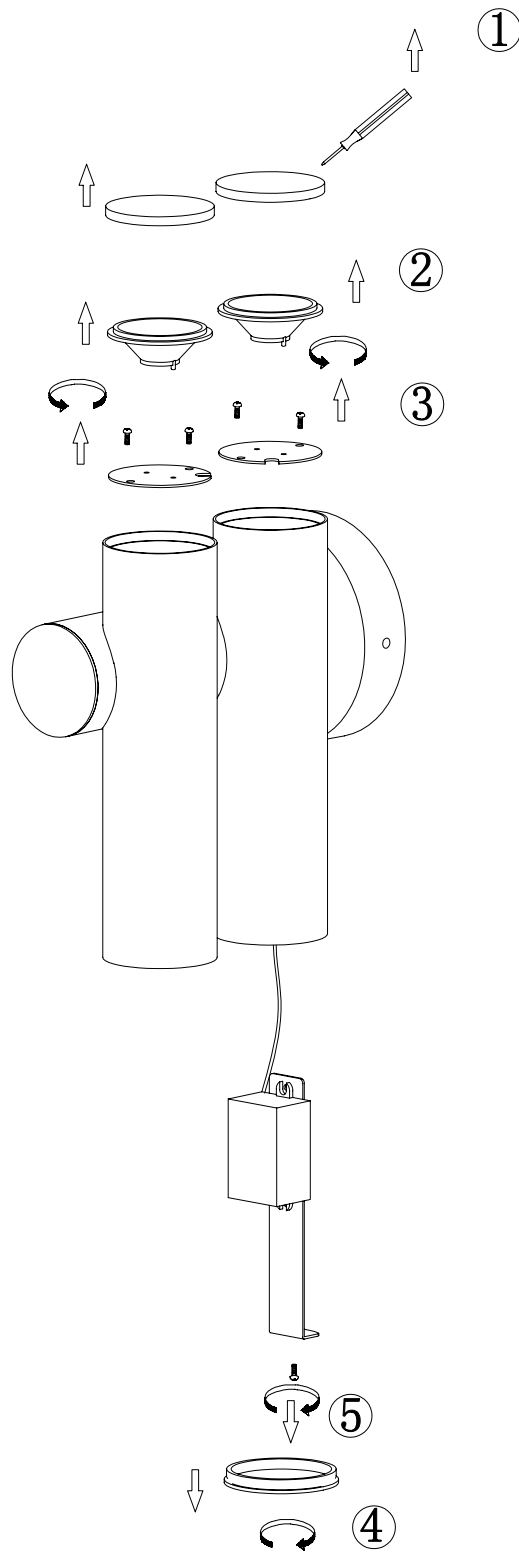
## INSTALLATION INSTRUCTIONS

1. Turn off the power switch.
2. Remove the front ring of the lamp.
3. Fix the base to the wall with the screws.
4. Connect to the power supply according to the drawing.
5. Connect the front ring to the base.
6. Switch on the power.



---

# DISASSEMBLY DIAGRAM



RoHS



UK  
CA

